

# EXIT-1045 - Chicago Approved Steel LED Emergency Unit CAEM

<b>Project:</b>	
<b>Type:</b>	
<b>Catalog #:</b>	

## EXIT

### STANDARD



### ILLUMINATION

- Two, 6V adjustable white LED lamp heads in metal housing and polycarbonate lens provide up to 60-ft center-to-center spacing with a 3-ft path of egress at 7-1/2-ft mounting height.
- 3.3W (3 LEDs x 1.1W) per head with a light output of 335 lumens.

### ELECTRICAL

- Dual 120/277 voltage.
- Unique bi-color LED indicator light alerts occupant on battery condition (Green-normal, Red-check battery).
- Charge rate/power "ON" LED indicator light and push-to-test switch for mandated code compliance testing.
- LVD (low voltage disconnect) prevents battery from deep discharge.
- 6V sealed lead acid, maintenance-free, rechargeable battery.
- Remote capacity of 5.4W standard.
- Internal solid-state transfer switch automatically connects the internal battery to the LED lamp heads for minimum 90-minute emergency illumination.
- Fully automatic solid-state, two rate charger initiates battery charging to recharge a discharged battery in 24 hours.

### MOUNTING

- Universal knockout pattern on back for wall mount.
- Side and top knockouts for conduit feed applications.

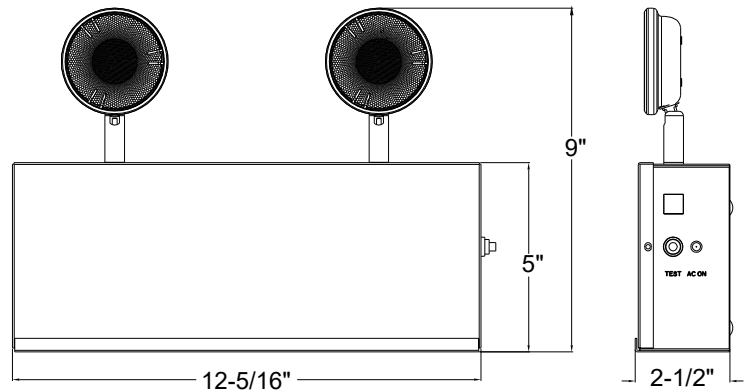
### HOUSING

- Durable 20-gauge steel construction in White or black finish.

### WARRANTY / LISTING

- Five year warranty on all electronics and housing. Battery pro rated for two years.
- UL Listed for damp locations (20°C – 50°C).
- Meets UL924, NFPA 101 Life Safety Code, NEC, OSHA, Local and State Codes.
- Meets City of Chicago requirements.

### DIMENSIONS



<b>Project:</b>	
<b>Type:</b>	
<b>Catalog #:</b>	

**ELECTRICAL INFORMATION**

CATALOG NUMBER	INPUT WATTS (W)		INPUT AMPS (A)	
	120V	277V	120V	277V
CAEM	8.4	9.4	0.08A	0.04A

**REMOTE LAMP COMPATIBILITY**

MODEL NUMBER	BATTERY	REMOTE CAPACITY	COMPATIBLE REMOTE HEAD FAMILY				
			RHLED	RH16LED	SRH		SRHLED
					6V	12V	
CAEM	6V	5.4W	X	X	X		X