

STANDARD



ILLUMINATION

- Ultra bright, energy efficient, long life Red or Green LED.
- High performance premium grade, ultra bright white LED lamps.
- 3W (1 LED x 3 watts) per head.

ELECTRICAL

- Dual 120/277 voltage.
- Charge rate/power "ON" LED indicator light and push-to-test switch for mandated code compliance testing.
- 8.4V long life, maintenance-free, rechargeable NiCd battery.
- Internal solid-state transfer switch automatically connects the internal battery to LED board and LED lamp heads for minimum 90-minute emergency illumination.
- Fully automatic solid-state, two rate charger initiates battery charging to recharge a discharged battery in 24 hours.
- Remote capacity available as an option.

MOUNTING

- Aluminum mounting canopy included for top or end mount.
- Universal K/O pattern on back plate for wall mount.

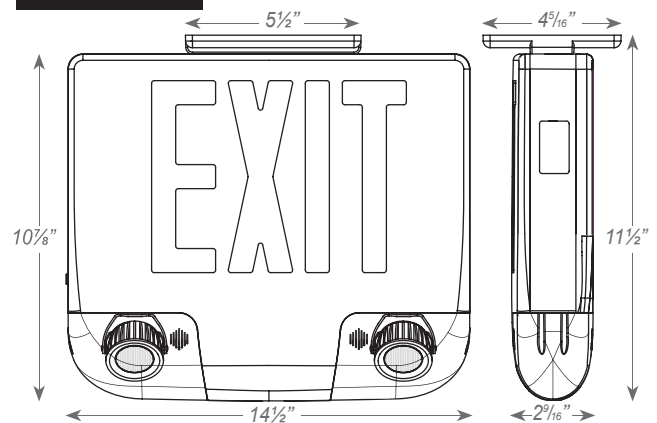
HOUSING

- First premium grade die-cast combo in the market. Unique new design provides spec grade EXIT sign with LED lamp heads in one low profile housing.
- Premium-grade, aluminum housing (also available in black or white powder-coated finishes).
- Field selectable knockout chevron directional indicators. • Quick-snap face plate closure.
- Unique design allows double face conversion in the field.

WARRANTY / LISTING

- Five year warranty on all electronics and housing. Battery pro rated for five years.
- Meets UL924, NFPA 101 Life Safety Code, NEC, OSHA, Local and State Codes.
- UL Listed for damp locations (0°C – 50°C).
- Certified to CEC under Title 20 Regulations.

DIMENSIONS



| | |
|-------------------|--|
| Project: | |
| Type: | |
| Catalog #: | |

ELECTRICAL INFORMATION

| CATALOG NUMBER | INPUT WATTS (W) | | INPUT AMPS (A) | |
|------------------|-----------------|------|----------------|-------|
| | 120V | 277V | 120V | 277V |
| CKXTEU-RED/GREEN | 4.6 | 4.8 | 0.053 | 0.024 |

CENTER-TO-CENTER SPACING GUIDELINES

For reference only.



| | | | | | | | | | | | | | | | | | | | | | | | | |
|---|------|------|------|------|------|------|------|------|------|------|------|------|------|------|------|------|------|------|------|------|------|------|------|------|
| 1 | 0.07 | 0.10 | 0.15 | 0.25 | 0.52 | 0.96 | 1.13 | 2.13 | 1.75 | 1.22 | 0.82 | 0.53 | 0.54 | 0.72 | 0.83 | 0.78 | 0.66 | 0.54 | 0.44 | 0.27 | 0.20 | 0.10 | 0.06 | 0.03 |
| 2 | 0.08 | 0.11 | 0.16 | 0.28 | 0.49 | 1.03 | 1.92 | 3.03 | 2.70 | 1.89 | 1.20 | 1.00 | 1.05 | 1.30 | 1.59 | 1.60 | 1.57 | 1.29 | 0.91 | 0.53 | 0.27 | 0.14 | 0.07 | 0.04 |
| 3 | 0.07 | 0.10 | 0.16 | 0.26 | 0.45 | 0.84 | 1.77 | 3.27 | 4.03 | 2.85 | 1.64 | 1.43 | 1.77 | 2.50 | 3.24 | 3.10 | 2.50 | 1.70 | 0.96 | 0.52 | 0.26 | 0.13 | 0.07 | 0.04 |
| 4 | 0.07 | 0.10 | 0.16 | 0.24 | 0.40 | 0.70 | 1.45 | 2.58 | 3.60 | 3.00 | 1.98 | 1.86 | 2.58 | 3.90 | 4.62 | 3.72 | 2.34 | 1.29 | 0.67 | 0.39 | 0.20 | 0.12 | 0.06 | 0.04 |
| 5 | 0.06 | 0.10 | 0.14 | 0.21 | 0.34 | 0.53 | 0.95 | 1.68 | 2.31 | 2.53 | 2.22 | 2.14 | 2.58 | 3.08 | 3.22 | 2.22 | 1.43 | 0.95 | 0.49 | 0.25 | 0.14 | 0.09 | 0.06 | 0.03 |
| 6 | 0.05 | 0.07 | 0.11 | 0.17 | 0.24 | 0.36 | 0.60 | 0.96 | 1.41 | 1.89 | 1.96 | 1.81 | 1.68 | 1.56 | 1.35 | 1.11 | 0.76 | 0.47 | 0.29 | 0.18 | 0.12 | 0.08 | 0.05 | 0.03 |

Meets NFPA 101 Requirements for: 21' center-to-center spacing - 4' path of egress 0' from wall - 7 1/2' mounting height.

REMOTE LAMP COMPATIBILITY

| MODEL NUMBER | BATTERY | REMOTE CAPACITY | COMPATIBLE REMOTE HEAD FAMILY | | | | | | | | | | | | | | | | | | | | | |
|--------------|---------|-----------------|-------------------------------|------|----|---------|------|-----|----|-----|-----|-----|-----|-----|--------|--|--|--|--|--|--|--|--|--|
| | | | RHLED | | | RH16LED | RH16 | | RH | | RHR | | SRH | | SRHLED | | | | | | | | | |
| | | | 3.6V | 9.6V | MV | | 6V | 12V | 6V | 12V | 6V | 12V | 6V | 12V | | | | | | | | | | |
| CKXTE-RC | 3.6V | 3W | X | | X | | | | | | | | | | | | | | | | | | | |